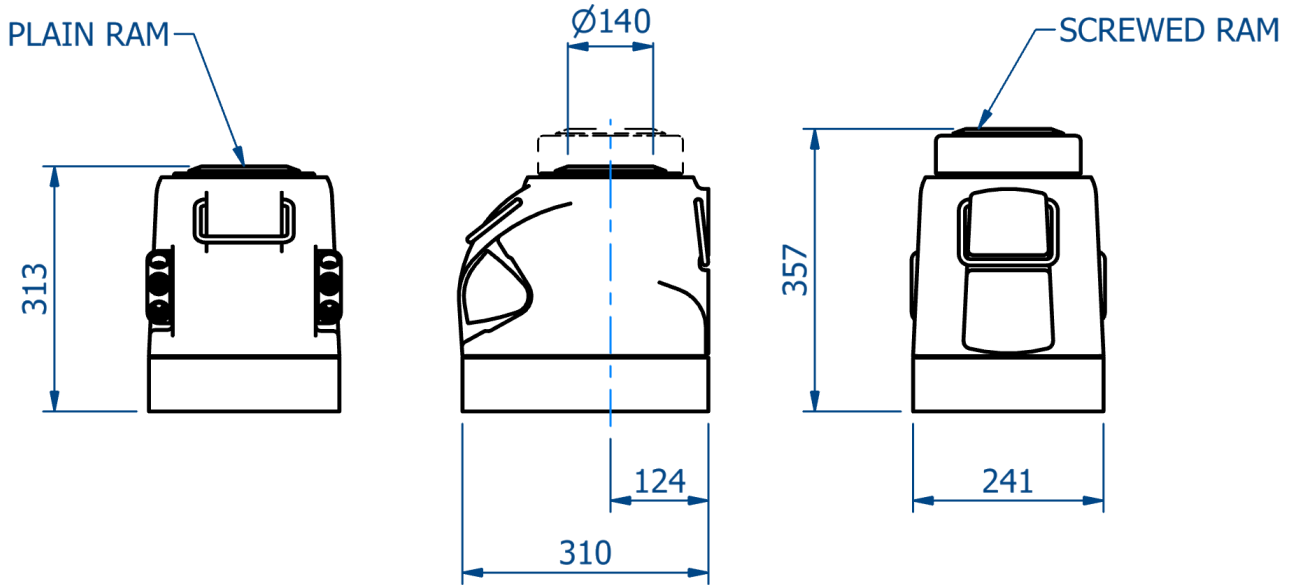




## Hydralite 100 Tonne Jack

The 100 tonne Hydralite is powered by two internal pumps, the low pressure, fast-speed plunger moves the ram out quickly, up to a load of about 8 tonnes on the ram, before transfer to the high pressure plunger becomes necessary. The lift of ram per stroke of lever is 1.1mm on low pressure and 0.1mm on high pressure.



Capacity	100 Tonne			
Product code	P6100		P6100S	
Ram Type	Plain		Screwed	
Weight	49 kgs	108 lbs	53 kgs	117 lbf
Working Pressure	640 Bars	9280 lbf/in <sup>2</sup>	640 Bars	9280
Effort on Lever	778 N	175 lbf	778 N	175 lbf
Lift/Stroke High	0.1 mm	0.005 ins	0.1 mm	0.005 ins
Lift/Stroke Low	1.1 mm	0.043 ins	1.1 mm	0.043 ins
Oil Capacity	2.23 Litres	3.92 Pints	2.3 Litres	4.05 Pints
Dimensions	mm	ins	mm	ins
Stroke	152	6	152	6
Width	241	9.48	241	9.48
Depth	310	12.2	310	12.2
Closed Height	313	12.32	357	14.05
Centre Ram To Face	124	4.88	124	4.88
$\text{Ø}$ Diameter	108	4.25	108	4.25
Service Kit Number	995058			

