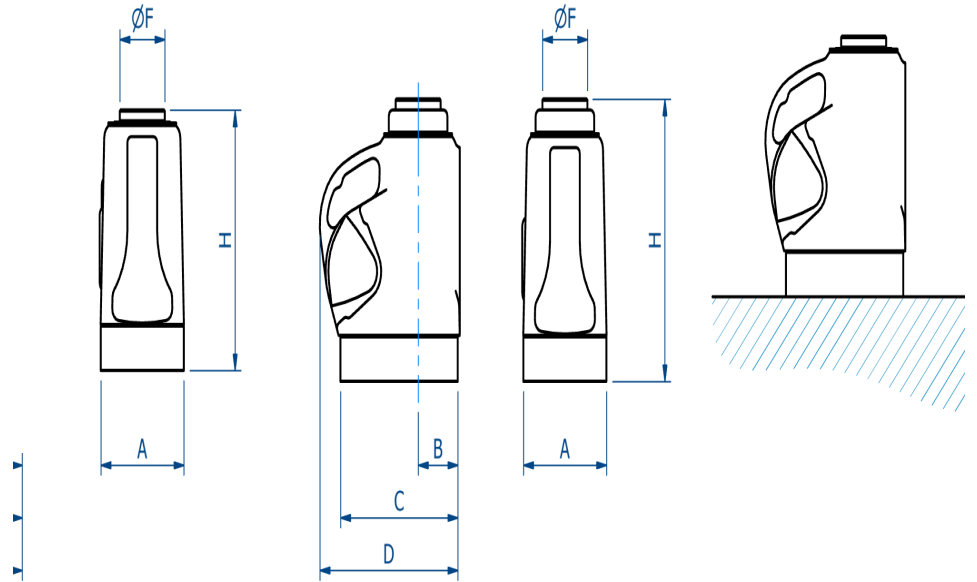




Hydralite 6" Screw Ram Jack



Product code	PS620S		PS630S		PS660S	
Ram Capacity	20 Tonnes		30 Tonnes		60 Tonnes	
Lift Per Stroke	1.1 mm	0.042 ins	0.70 mm	0.026 ins	0.3 mm	0.013 ins
Weight of Jack	10.90 kgs	24 lbs	15.40 kgs	34 lbs	27.4 kgs	61 lbs
Working Pressure	682 Bars	9,900 PSI	644 Bars	9,350 PSI	644 Bars	9,350 PSI
Effort on Lever (max)	54 kgs	120 lbs	52 kgs	115 lbs	52 kgs	115 lbs
Oil Capacity	0.64 Litres	1.13 Pints	0.88 Litres	1.5 Pints	1.71 Litres	3 Pints
Dimensions	mm	ins	mm	ins	mm	ins
A - Width	121	4.75	140	5.5	190	7.5
B - Centre Ram To Face	60	2.38	70	2.75	92	3.625
C - Base Length	178	7	197	7.75	251	9.875
D - Overall Depth	214	8.44	235	9.25	286	11.25
F - Ram Diameter	60	2.38	76	3	108	4.25
H - Closed Height	289	11.38	292	11.5	330	13
Stroke	152	6	152	6	152	6
Service Kit Number	133930		133932		133935	